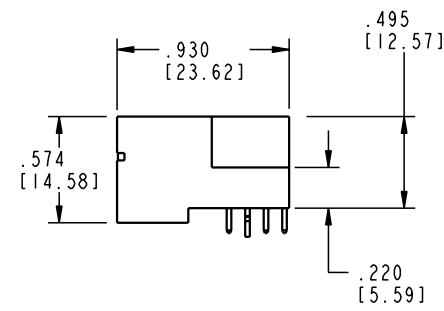
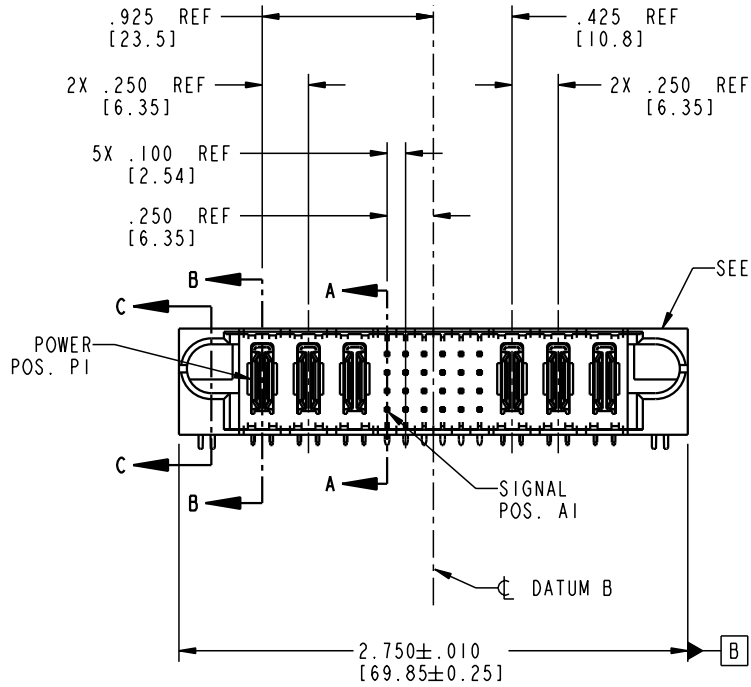
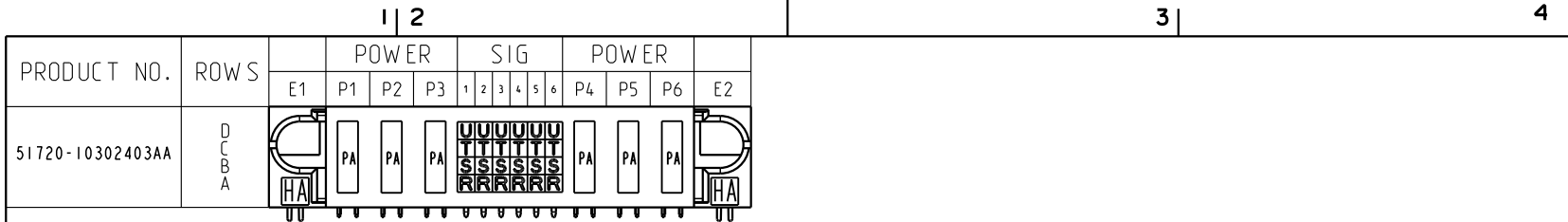


Tous droits strictement réservés. Reproduction ou communication a des tiers interdite sous quelque forme que ce soit sans autorisation écrite du propriétaire. Propriete de c FCI. Droits de reproduction FCI.

All rights strictly reserved. Reproduction or issue to third parties in any form whatever is not permitted without written authority from the proprietor. Property of FCI. Copyright FCI.



CODE	DIM "M" MATING LENGTH	CONTACT TYPE
R	.270 [6.86]	SIGNAL
S	.270 [6.86]	SIGNAL
T	.270 [6.86]	SIGNAL
U	.270 [6.86]	SIGNAL
PA	N/A [N/A]	POWER
HA	N/A [N/A]	HOLD-DOWN

mat'l code		SEE NOTE 2	tolerances unless otherwise specified		CUSTOMER	 www.fciconnect.com
ltr	ecn no.	dr	date	linear	COPY	
A	V03-0454	MEM	4/21/03	.XX±.01/0.X±0.3	projection	title
				.XXX±.005/0.XX±0.13	 INCH/MM	3P + 24S + 3P
				.XXX±.0020/0.XXX±0.051		product family
				angles	scale	PwrBlade
				dr	1:1	code
				enrg		213
				chr		sheet
				appd		1 of 4
sheet index	revision sheet	A	A	A	A	
		1	2	3	4	

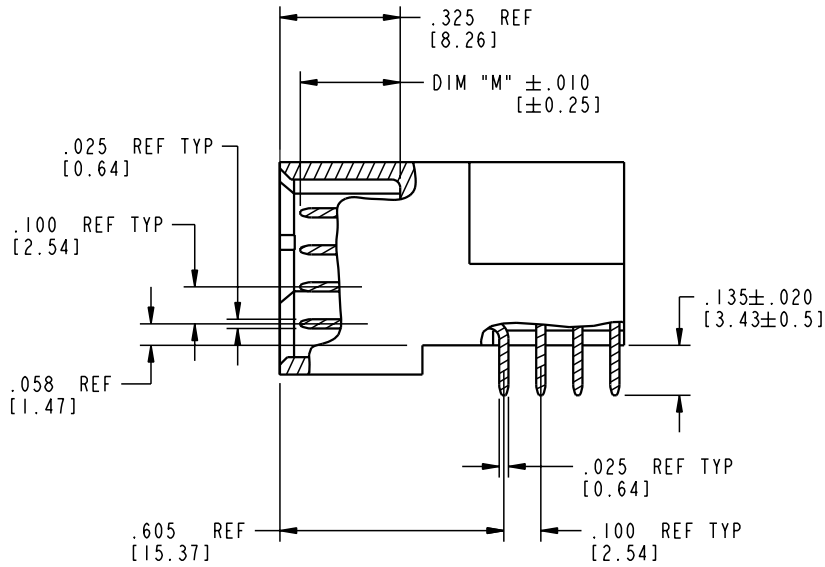
Pro/E

cage code 22526

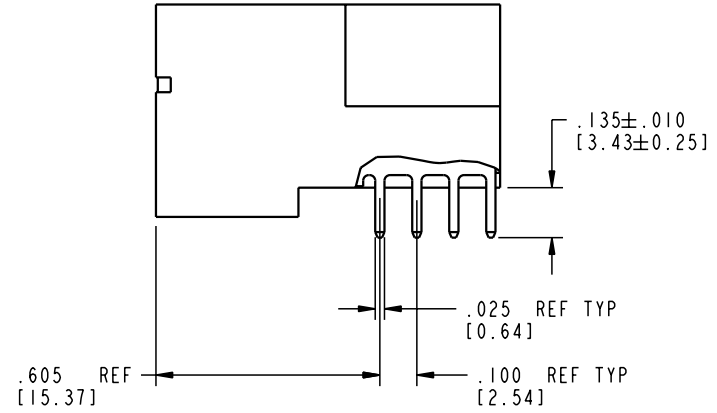
Tous droits strictement réservés. Reproduction ou communication a des tiers interdite sous quelque forme que ce soit sans autorisation écrite du propriétaire. Propriete de c FCI. Droits de reproduction FCI.

All rights strictly reserved. Reproduction or issue to third parties in any form whatever is not permitted without written authority from the proprietor. Property of FCI. Copyright FCI.

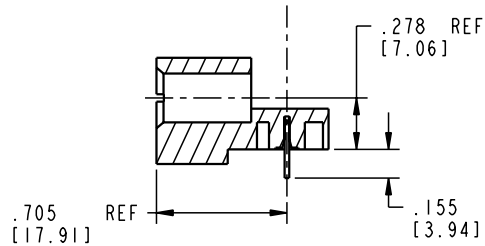
PRODUCT NUMBER  
51720-10302403AA



BROKEN-OUT SECTION A-A  
SCALE 2:1



BROKEN-OUT SECTION B-B  
SCALE 2:1



SECTION C-C

mat'l code		SEE NOTE 2		tolerances unless otherwise specified		CUSTOMER		 www.fciconnect.com	
ltr	ecn no.	dr	date	linear	.XX±.01/0.X±0.3	COPY		title	
A				angles	.XXX±.005/0.XX±0.13	 projection		3P + 24S + 3P	
				dr	.XXX±.0020/0.XXX±0.051	 INCH/MM		RIGHT ANGLE SOLDER HEADER	
				engr	0° ± 2°	scale		product family	
				chr	M. MOSTOLLER 4/21/03	1:1		PwrBlade	
				appd	M. MOSTOLLER 4/21/03			code	
sheet index		revision sheet						213	
								sheet	
								2 of 4	

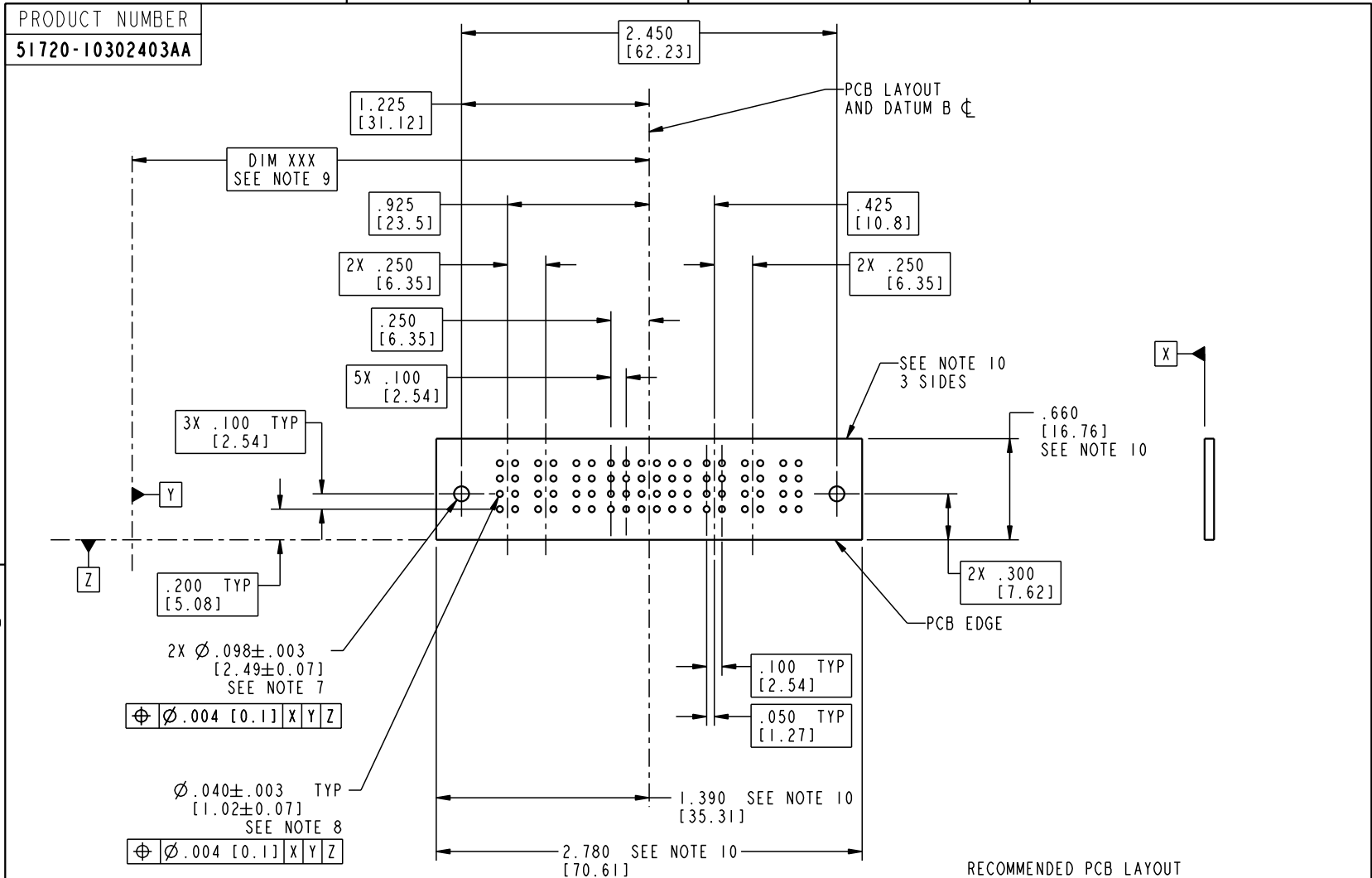
cage code 22526

Pro/E

Tous droits strictement réservés. Reproduction ou communication à des tiers interdite sous quelque forme que ce soit sans autorisation écrite du propriétaire. Propriété de c.FCI. Droits de reproduction FCI.

**FCI**

All rights strictly reserved. Reproduction or issue to third parties in any form whatever is not permitted without written authority from the proprietor. Property of FCI. Copyright FCI.



RECOMMENDED PCB LAYOUT

mat'l code				SEE NOTE 2		tolerances unless otherwise specified		CUSTOMER		 www.fciconnect.com	
ltr	ecn no.	dr	date					COPY			
A				linear	.XX±.01/0.X±0.3	projection	title			3P + 24S + 3P	
				angles	.XXX±.005/0.XX±0.13		RIGHT ANGLE SOLDER HEADER				
				dr	.XXX±.0020/0.XXX±0.051	$0^\circ \pm 2^\circ$	product family			PwrBlade	
				engr	M. MOSTOLLER	4/21/03	size			213	
				chr	H. BREWBAKER	4/21/03	scale			sheet	
				appd	M. MOSTOLLER	4/21/03	1:1			3 of 4	
sheet index	revision sheet										

Pro/E

cage code 22526

Tous droits strictement reserves. Reproduction ou communication a des tiers interdite sous quelque forme que ce soit sans autorisation écrite du propriétaire. Propriete de c FCI. Droits de reproduction FCI.

**A**  
**FCI**

All rights strictly reserved. Reproduction or issue to third parties in any form whatever is not permitted without written authority from the proprietor. Property of FCI. Copyright FCI.

**A**

**B**

1 | 2

3 |

4

PRODUCT NUMBER

51720-10302403AA

NOTES:

1. DIMENSIONS AND TOLERANCES ARE IN ACCORDANCE WITH ASME Y14.5M, 1994 UNLESS OTHERWISE SPECIFIED.

CONNECTOR NOTES:


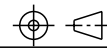
- 2. HOUSING MATERIAL: UL 94 V-0 GLASS FILLED HIGH-TEMP THERMOPLASTIC  
POWER CONTACT MATERIAL: COPPER ALLOY  
SIGNAL PIN MATERIAL: COPPER ALLOY
- 3. PLATING:  
SIGNAL PINS: 30u"/0.76um Au OVER 50u"/1.27um Ni  
POWER CONTACTS: 50u"/1.27um Ni UNDER ALL WITH 30u"/0.76um Au ON CONTACT AREA AND SnPb ON PCB INTERFACE
- 4. MANUFACTURER'S NAME, P/N, AND DATE CODE TO APPEAR ON THIS SURFACE.
- 5. PRODUCT SPECIFICATION GS-12-149.  
APPLICATION SPECIFICATION BUS-20-067.

PCB NOTES:

- 6. ALL HOLE DIAMETERS ARE FINISHED HOLE SIZE.
- 7. MOUNTING HOLES, WHERE APPLICABLE, ARE UNPLATED.
- 8.  $\varnothing .0453 \pm .0010$  [1.151  $\pm$  0.025] DRILLED HOLES PLATED WITH .0003 [0.008] MIN SnPb OVER .001 [0.03] TO .003 [0.08] Cu PLATING TO ACHIEVE  $\varnothing .040 \pm .003$  [1.02  $\pm$  .07] HOLE.
- 9. "DIM XXX" TO BE DETERMINED BY THE CUSTOMER.
- 10. CONNECTOR KEEP-OUT ZONE.

**A**

**B**

mat'l code		SEE NOTE 2		tolerances unless otherwise specified		CUSTOMER		 www.fciconnect.com	
ltr	ecn no.	dr	date	linear	.XX±.01/0.X±0.3	COPY			
A				angles	.XXX±.005/0.XX±0.13	projection		title 3P + 24S + 3P	
				dr	.XXX±.0020/0.XXX±0.051			RIGHT ANGLE SOLDER HEADER	
				enr	M. MOSTOLLER 4/21/03	INCH/MM		product family PwrBlade code	
				chr	H. BREWBAKER 4/21/03	scale		size dwg no 213	
				appd	M. MOSTOLLER 4/21/03	1:1		sheet 4 of 4	
sheet index	revision sheet							A 51720-10302403AA	

1 | 2

Pro/E

3 |

cage code 22526

4